



VHF MARINE TRANSCEIVERS

# IC-M323G

(With GPS Receiver)

# IC-M323

(Without GPS Receiver)

## Top Performance, Great Value



**GPS**  
INTEGRATED  
GPS RECEIVER  
(IC-M323G only)

IC-M323G Black Version



**Built-in GPS Receiver Simplifies Installation**  
(IC-M323G only)



**AquaQuake™  
Draining Function**



**Icom Marine Family User Interface**



**MA-500TR AIS Transponder  
Compatible**



**High-Definition Dot-Matrix Display**



**MarineCommander™ Compatible**



**Meets Latest Class D  
DSC Specifications**



**IPX7 Waterproof**  
1m Depth of Water for 30 Minutes



**Common NMEA Interface**  
For External GPS/NAV Connection



IC-M323 Super White Version

**Built-in GPS Receiver (IC-M323G only)**

The built-in GPS receiver shows your current position and time and can be used for DSC calls. GPS data source is selectable from internal and external GPS (and GPS-OFF setting).

**Intuitive User Interface**

Icom's common Marine Family User Interface provides simple operation for the boat owner. A rotary selector and directional keypad provide intuitive operation. The high-definition dot-matrix display allows all information to be clearly viewed.

**Built-in Class D DSC**

The built-in DSC watch function monitors Ch. 70 (DSC channel) activity, even while you are receiving another channel. DSC functions include: distress, individual, group, all ships, urgency, safety, position request/report, polling request and DSC test calls.

**IPX7 Waterproof Protection**

The IC-M323/G withstands submersion in up to 1.0m depth of water for 30 minutes. It is equivalent to the IPX7 standard.

**Common NMEA Interface**

When receiving DSC information from another vessel, the IC-M323/G can transfer it to a navigational device via NMEA 0183 connectivity.

**Compatible with MA-500TR Class B AIS Transponder**

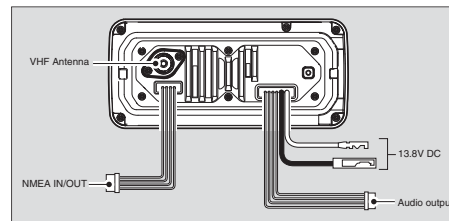
The IC-M323/G can be integrated with the MA-500TR Class B AIS Transponder, which allows you to transmit DSC individual calls to a selected vessel instantly without manual MMSI entry. It is very handy if you are waiting to contact vessels on the AIS screen - an essential safety feature in an emergency.

**Favorite Channel Function**

This function promotes quick channel selection. Set the "Tag" channel to the channels used most often. When pushing the up/down buttons on the hand microphone, only the tagged channels are selected, while untagged channels are skipped.

**And More**

- MarineCommander™ compatible
- AquaQuake™ water draining function
- Dual/tri-watch function for monitoring Ch.16 and/or call channel
- Black and super white versions available



**OPTIONS**

**CLASS B AIS TRANSPONDER**

**MA-500TR**

**FLUSH MOUNT KIT**

**MB-132**

**HM-200B/SW**  
HAND MICROPHONE  
Same as supplied.

**SPECIFICATIONS**

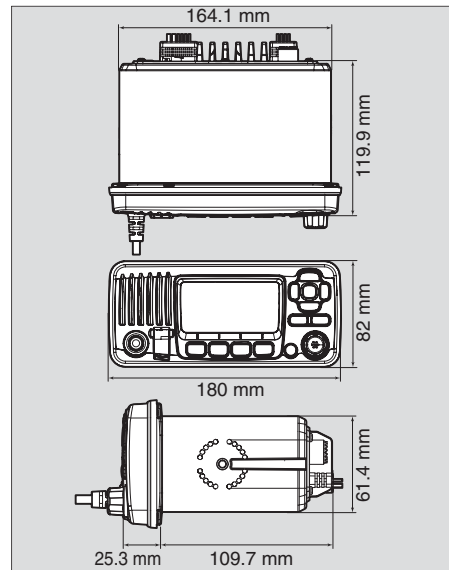
| GENERAL  |                                |  |
|--|--------------------------------|--|
| Frequency range                                  | Tx<br>Rx<br>CH70               | 156.000–161.450MHz<br>156.000–163.425MHz<br>156.525MHz |
| Usable channels                                  |                                | INT, USA* channels<br>* Available depending on version |
| Type of emission                                 |                                | 16K0G3E (FM), 16K0G2B (DSC)                            |
| Power supply requirement                         |                                | 13.8V DC nominal<br>(10.8–15.6V DC)                    |
| Current drain                                    | Tx 25W output<br>Rx Max. audio | 5.5A<br>1.5A   |
| Operating temperature range                      |                                | –20°C to +60°C   |
| Antenna impedance                                |                                | 50Ω (SO-239)   |
| Dimensions (WxHxD)<br>(projections not included) |                                | 180x82x119.9mm   |
| Weight (approx.)                                 |                                | 1.2kg  |
| NMEA in/out formats                              |                                | RMC, GGA, GNS, GLL,<br>DSC, DSE                        |
| TRANSMITTER                                      |                                |  |
| Output power                                     |                                | 25W, 1W  |
| Max. frequency deviation                         |                                | ±5.0kHz  |
| Frequency stability                              |                                | Less than ±1.5kHz                                      |
| Spurious emissions                               |                                | Less than 0.25µV                                       |

| RECEIVER   |             |  |
|--|-------------|--|
| Sensitivity  | Main<br>DSC | –5dBµ emf typ. (20dB SINAD)<br>–4dBµ emf typ. (1% BER) |
| Squelch sensitivity                                | Main        | Less than –2dBµ emf                                    |
| Adjacent channel selectivity                       | Main<br>DSC | More than 70dB<br>More than 73dBµ emf (1% BER)         |
| Spurious response                                  | Main<br>DSC | More than 70dB<br>More than 73dBµ emf (1% BER)         |
| Intermodulation                                    | Main<br>DSC | More than 68dB<br>More than 68dBµ emf (1% BER)         |
| Hum and noise                                      |             | More than 40dB   |
| Audio output power<br>(at 10% distortion, 4Ω load) |             | More than 2W   |

Measurements made in accordance with EN 301 025-2, -3. All stated specifications are subject to change without notice or obligation.

| Applicable IP Rating        |                              |
|-----------------------------|------------------------------|
| Ingress Protection Standard |                              |
| Water                       | IPX7 (Waterproof protection) |

| Supplied accessories:         |                  |
|-------------------------------|------------------|
| • Hand microphone, HM-200B/SW | • DC power cable |
| • Mounting bracket kit        |                  |



Icom, Icom Inc. and the Icom logo are registered trademarks of Icom Incorporated (Japan) in the United States, the United Kingdom, Germany, France, Spain, Russia, Japan and/or other countries. MarineCommander and AQUAQUAKE are trademarks of Icom Inc. (Japan). All other trademarks are the properties of their respective holders.

**Icom Inc.** 1-1-32, Kami-minami, Hirano-Ku, Osaka 547-0003, Japan Phone: +81 (06) 6793 5302 Fax: +81 (06) 6793 0013 [www.icom.co.jp/world](http://www.icom.co.jp/world) **Count on us!**

**Icom America Inc.**  
12421 Willows Road NE,  
Kirkland, WA 98034, U.S.A.  
Phone: +1 (425) 454-8155  
Fax: +1 (425) 454-1509  
E-mail: sales@icomamerica.com  
URL: <http://www.icomamerica.com>

**Icom (Europe) GmbH**  
Communication Equipment  
Auf der Krautweide 24  
65812 Bad Soden am Taunus, Germany  
Phone: +49 (6196) 76885-0  
Fax: +49 (6196) 76885-50  
E-mail: info@icom-europe.com  
URL: <http://www.icomeurope.com>

**Icom France s.a.s.**  
Zac de la Plaine,  
1 Rue Brindejonn des Moulinais, BP 45804,  
31505 Toulouse Cedex 5, France  
Phone: +33 (5) 61 36 03 03  
Fax: +33 (5) 61 36 03 00  
E-mail: icom@icom-france.com  
URL: <http://www.icom-france.com>

**Asia Icom Inc.**  
6F No. 68, Sec. 1 Cheng-Teh Road,  
Taipei, Taiwan, R.O.C.  
Phone: +886 (02) 2559 1899  
Fax: +886 (02) 2559 1874  
E-mail: sales@asia-icom.com  
URL: <http://www.asia-icom.com>

Your local distributor/dealer:

**Icom Canada**  
Glenwood Centre #150-6165  
Highway 17A, Delta, B.C.,  
V4K 5B8, Canada  
Phone: +1 (604) 952-4266  
Fax: +1 (604) 952-0090  
E-mail: info@icomcanada.com  
URL: <http://www.icomcanada.com>

**Icom Spain S.L.**  
Ctra. Rubi, No. 88 "Edificio Can Castanyer"  
Bajos A 08174, Sant Cugat del Valles,  
Barcelona, Spain  
Phone: +34 (93) 590 26 70  
Fax: +34 (93) 589 04 46  
E-mail: icom@icomspain.com  
URL: <http://www.icomspain.com>

**Icom (Australia) Pty. Ltd.**  
Unit 1 / 103 Garden Road,  
Clayton, VIC 3168 Australia  
Phone: +61 (03) 9549 7500  
Fax: +61 (03) 9549 7505  
E-mail: sales@icom.net.au  
URL: <http://www.icom.net.au>

**Icom Brazil**  
Rua Itororó, 444 Padre Eustáquio  
Belo Horizonte MG,  
CEP: 30720-450, Brazil  
Phone: +55 (31) 3582 8847  
Fax: +55 (31) 3582 8987  
E-mail: sales@icombrasil.com

**Icom (UK) Ltd.**  
Blacksloe House, Altira Park,  
Herne Bay, Kent, CT6 6GZ, U.K.  
Phone: +44 (0) 1227 741741  
Fax: +44 (0) 1227 741742  
E-mail: info@icomuk.co.uk  
URL: <http://www.icomuk.co.uk>

**Icom New Zealand**  
39C Rennie Drive, Airport Oaks,  
Auckland, New Zealand  
Phone: +64 (09) 274 4062  
Fax: +64 (09) 274 4708  
E-mail: inquiries@icom.co.nz  
URL: <http://www.icom.co.nz>